

PKS 890 XL / 740 XL series

Self-propelled Aerial Platforms

PKS 890 XL / 740 XL series

The PKS890 XL aerial platform is supplied with a bigger frame. It can load up to two operators with a maximum capacity of 200 kg. PKS 740 XL can be moved in a truck with low roof.

The hydraulic grader is a very important and suggested accessory to allow the platform to be levelled up to a 20 cm difference in height.

IN CASE OF HOMOLOGATION FOR EXTERNAL USE, THE CAPACITY IS THE SAME WITH ONE MAN ONLY LIMIT. EN 280 CE CERTIFICATED.

TECHNICAL DESCRIPTION

Speed: From 0 to 25 m/mins with movement at height

Controls: Cage supplied with all controls, check control, timer, key, lift/lowering, CCS and ICS safety systems, Electronic control of platform slope with automatic block, Acoustical movement device

Batteries: 2 130Ah 12Vdc batteries with reinforced plates

Battery charger: Portable, 220V, 50Hz, 15A, 24Vdc

Lift: Hydraulic system with motor 2KW, safety valve and emergency lowering system

Steering: Hydraulic system with motor 500W



Tower: Made of anodised aluminium, telescopic system with BACKLASH RECOVERY, FLEIER transmission chains, PLUNGING hydraulic cylinder, 12 sliding rollers for each tower with VRS


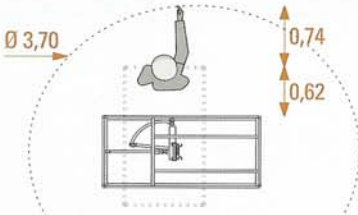






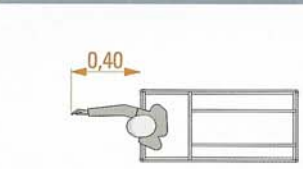





Turning circle: 2.5 m.

Slope surmountable: With closed machine, frontal 15%, lateral 5%

Traction: 2 500W engines 24Vdc operated by 1 electronic circuit card with MOSFET technology and computerised energy recovery



	USO INTERNO / INTERNAL USE		USO ESTERNO / EXTERNAL USE	
	PKS 890 XL	PKS 740 XL	PKS 890Z XL	PKS 740Z XL
A	1,67 mt	1,45 mt	1,67 mt	1,45 mt
H	8,90 mt	7,33 mt	8,90 mt	7,33 mt
	1361	1290	1482	1420

	Cod. C/SUPGIR 	Cestello Girevole <i>Rotating frame</i> 	
			
			
	Cod. C/SUPPKS10 	Cestello Fisso <i>Fixed frame</i> 	
			
			



La Piattaforma Aerea versione **PKS890 XL** ha il cesto più grande e può portare 2 operatori sempre con la portata massima di 200 kg.

*The **PKS890 XL** aircraft platform is supplied with a bigger frame. It can load up to two operators with a maximum capacity of 200 kg.*



Il **Livellatore Idraulico** è un accessorio molto importante e consigliato che permette alla Piattaforma di livellarsi fino a 20 cm di dislivello.

*The **hydraulic grader** is a very important and suggested accessory to allow the platform to be levelled up to a 20 cm difference in height.*



PKS 740 XL entra su furgone a tetto basso.

***PKS 740 XL** can be moved in a truck with low roof*

IN CASO DI OMOLOGAZIONE PER USO ESTERNO, LA PORTATA RIMANE INVARIATA CON IL LIMITE DI UN SOLO UOMO
 IN CASE OF HOMOLOGATION FOR EXTERNAL USE, THE CAPACITY IS THE SAME WITH ONE MAN ONLY LIMIT.

Piattaforme Aeree dal facile trasporto | Aircraft platforms for easy transport

Kermco Limited

P.O. Box 161, Lewes BN7 9ES

T/F: 01825 724489 M: 07790 295081

E: info@kermco.co.uk www.kermco.co.uk

KERMCO POWERED ACCESS MACHINERY

Registered Office: Kermco Limited P.O. Box 161, Lewes BN7 9ES