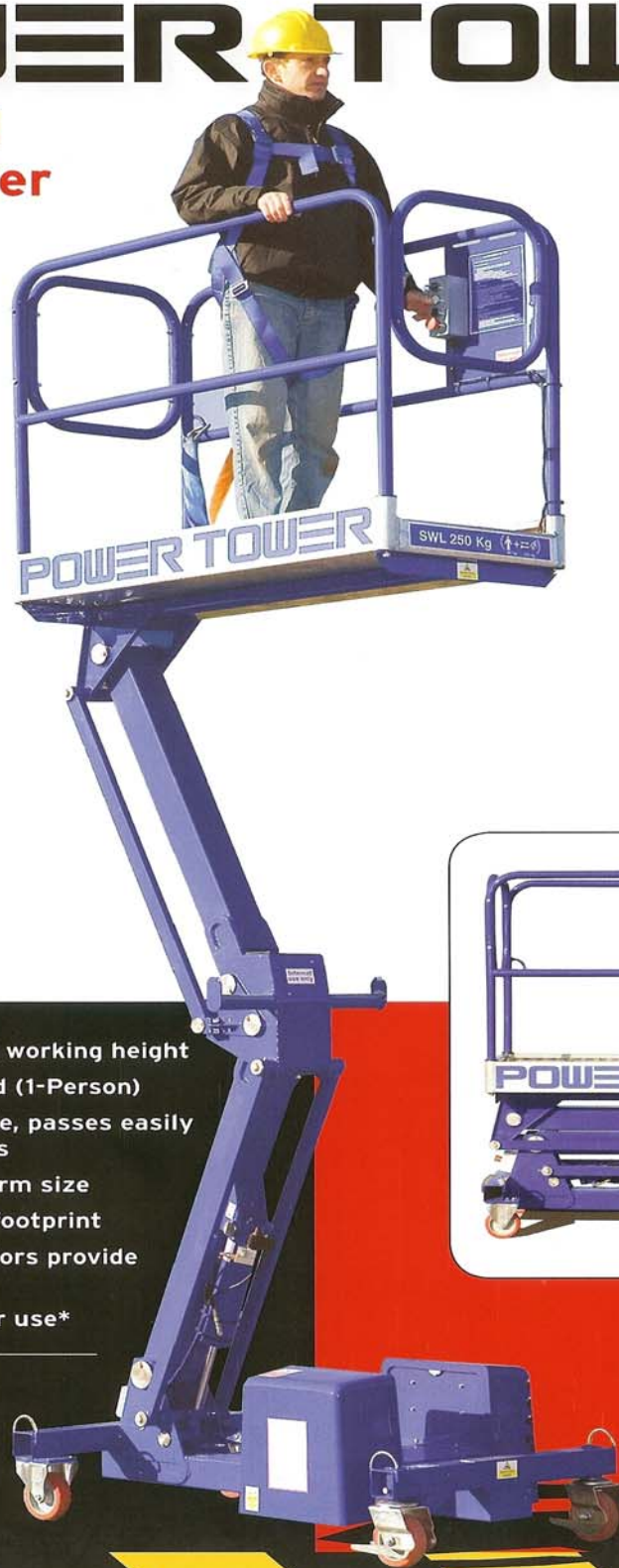


CTE presents

# POWER TOWER

**The Powered  
Scaffold Tower**



- 3.1m Platform height, 5.1m working height
- 250 Kg. Safe Working Load (1-Person)
- Compact - Only 0.78m wide, passes easily through standard doorways
- Large 1.5m x 0.65m platform size
- Only 0.78 x 1.5m working footprint
- Heavy-duty Auto-Lok castors provide secure base
- Rated for Indoor & Outdoor use\*



**KERMCO POWERED ACCESS MACHINERY**

Registered Office: Kermco Limited P.O. Box 161, Lewes BN7 9ES

**Kermco Limited**

P.O. Box 161, Lewes BN7 9ES

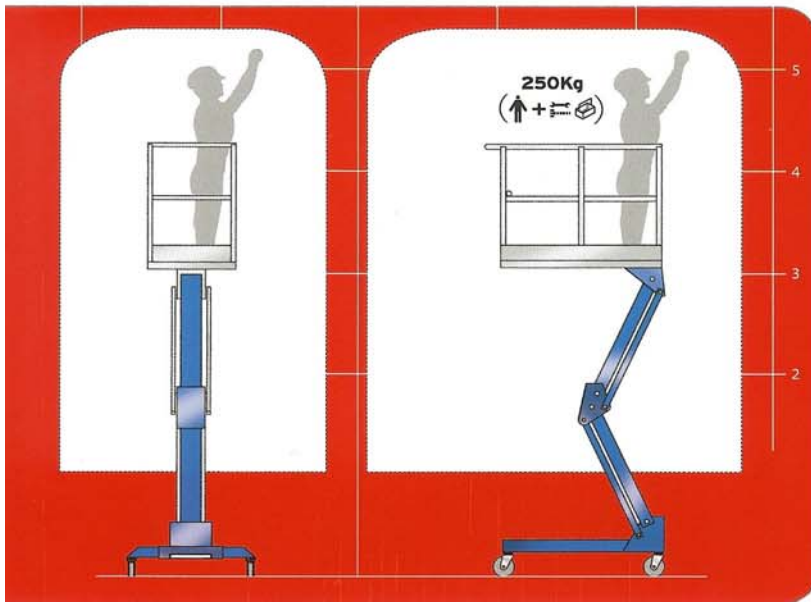
**T/F:** 01825 724489 **M:** 07790 295081

**E:** [info@kermco.co.uk](mailto:info@kermco.co.uk) [www.kermco.co.uk](http://www.kermco.co.uk)

CTE presents

# POWER TOWER

The Powered Scaffold Tower



## SPECIFICATIONS

Operating Dimensions:	5.10m
Maximum Working Height:	3.10m
Maximum Platform Height:	1.5m x 0.65m
Platform Dimensions:	1.5m x 0.78m
Working Foot Print:	250 Kg
Safe Working Load:	

## CLOSED DIMENSIONS

Length:	1.52m
Width:	0.78m
Height:	1.92m
Weight:	310 Kg

## POWER OPTIONS

Battery:	12v c/w Automatic charger.
Mains:	110v or 230v.

Controls: Simple push button basket controls.

Construction: Fabricated steel superstructure, stainless steel bushed pivots, tough powder coated finish.

Safety: CE marked, complies fully with En280 and relevant European machinery directives. Full failsafe hydraulics, automatic locking castors.

Options: \*Tilt alarm c/w auto cut-out. Outriggers for out-door and/or sloping/uneven ground use. Clip-on tool tray.

